

ZAXIS180W

HITACHI

ZAXIS 180W

■ Engine Rated Power : 90.2 kW (123 PS)

■ Operating Weight : 17 400 —18 800 kg

■ Backhoe Bucket

SAE, PCSA Heaped : 0.51 —1.20 m³

CECE Heaped : 0.45 —1.00 m³



Z A X I S

Smarter & Faster

ZAXIS uses advanced technology to reduce costs while working faster.



All Excavating Operations in a Single Mode
Simply select the "digging" mode for smooth and speedy front operations.

Operating Weight 18 800 kg
(with 4 outriggers)

High Power Engine 90.2 kW (123 PS)

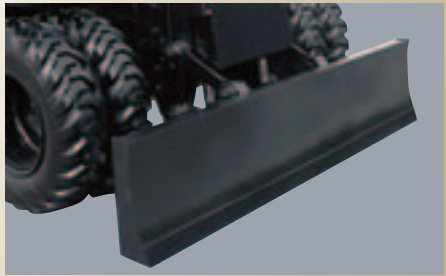
Excavating Power for Tough Job Site
(with 2.70m arm)
Bucket digging force **116 kN (11 800 kgf)** Arm digging force **86 kN (8 800 kgf)**

Big Lifting Capacity and High Stability



Dozer blade

- Parallelogram blade for large vertical movement.
- Bolted blade and outriggers for easy replacement.



Note : Photos include optional equipment.

Minimum Effort Maximum Efficiency

The operator's compartment is designed for both comfort and operating efficiency.



Easy-to-Monitor Instruments

Strategically positioned instruments allow the operator to monitor the status of key areas with just a glance.

Easy-to-Operation

Switches and other essential controls are located near the operator. This helps keep operator movement to a minimum, enhancing control and minimizing fatigue.



Double Slide Seat

The suspension seat can slide independently, or integrally with the control lever, to accommodate operator build.

Seat



Seat with control lever



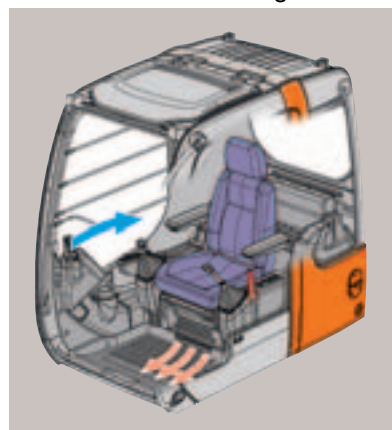
Tilttable Steering Wheel

The steering wheel column can be tilted to suit operator build.



Auto Control Air Conditioner

Simply set the temperature and forget about it. Ducts are positioned to promote even air flow throughout the cab.



* Illustration shows a sample of the air flow during bi-level control.

Comfort Increased to Reduce Operator Fatigue

D-type frame and rigid cab bed work together with the silicone-filled rubber cushions to reduce noise and vibration. Lower noise and vibration contribute to less operator fatigue.



Travel direction mark



Large size transparent roof (Optional)



Easy-to-read instruments and easy-to-operate switches

- Storage box
- Easy-lock front window latch
- Wide and comfortable arm rests



Drink holder



Light-touch joystick lever



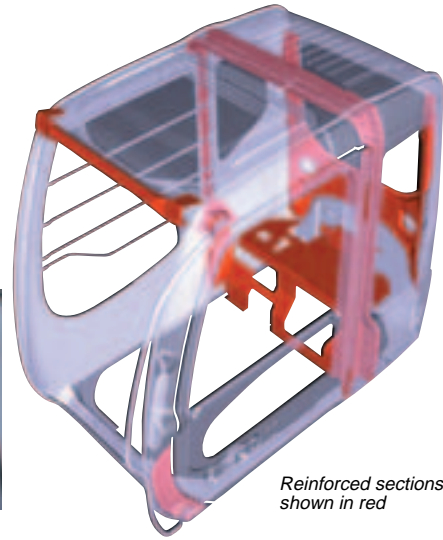
Protect & Serve

A design that both guards the operator and contributes to efficient operation.

CRES (Center pillar Reinforced Structure) Cab

*The CRES cab meets OPG top guard level I (ISO).

The cab is designed with "just in case" protection for the operator in mind. The rigid cab design can help to reduce any potential for injury to the operator in the event of an accident.



Reinforced sections shown in red

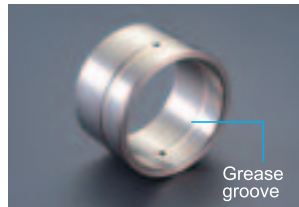
Functional & Durable

Extensive steps have been taken to support basic performance and overall durability.

Lower running costs

New HN Bushing

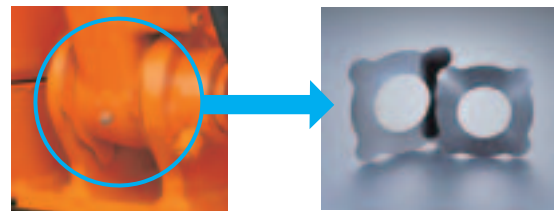
Reducing wear of pins and bushes.



Grease groove

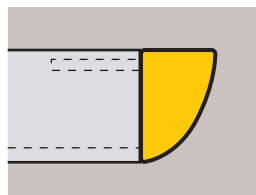
Reinforced Resin Thrust Plates

Designed to reduce noise and resist wear.



Reinforced D-Type Frame

Rigidity of main frame on standard version is increased, supports heavier front attachment and counterweight.



Aluminium Radiator, Oil Cooler and Inter-Cooler

Increased corrosion resistance.

- 1 Reinforced resin thrust plates used for front sections
- 2 Reinforced D-type frame
- 3 Reinforcing rib for door covers
- 4 Flanged pin is used for the boom/arm joint sections and the boom foot section
- 5 New HN bushing used for front sections
- 6 WC thermal spraying for arm and bucket joint sections
- 7 Bucket joint pins lubricated through bosses
- 8 Increased arm plate thickness

WC (Tungsten Carbide) Thermal Spraying

Used at arm end and bucket connection to increase wear resistance and reduce jerking.



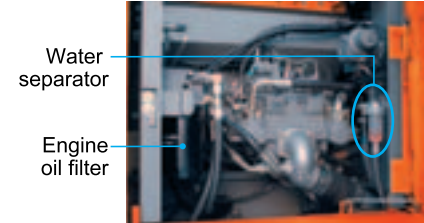
Smart Savings

Advanced technology helps reduce maintenance cost.

500 Hours between Lubrication for Bucket Joint Section and Front Sections

The use of the new HN bushing and WC thermal spraying process have helped dramatically increase the period between lubrication. (See the Operators Manual)

Engine Oil Filter and Water Separator Positioned for Easy Access from Ground



Water separator
Engine oil filter

Hydraulic Oil Filter Only Needs Replacement Every 1000 Hours

The hydraulic oil filter can be used nearly twice as long as the previous model dramatically reducing maintenance time and expense.



Environmentally Friendly Design

Helping ensure a cleaner tomorrow.



Labeled plastic parts

Labeled Plastic Parts

The type of plastic used in various parts is imprinted on them to facilitate easy recycling.

Low-Noise Operation

A low-noise muffler and other such steps have been taken to reduce the amount of noise released from the engine compartment.

Emissions Control Engine

Conforms to EU Stage II and U.S. EPA Tier 2 emission regulations. The road vehicle exhaust conforms to the emission of ECE R24.

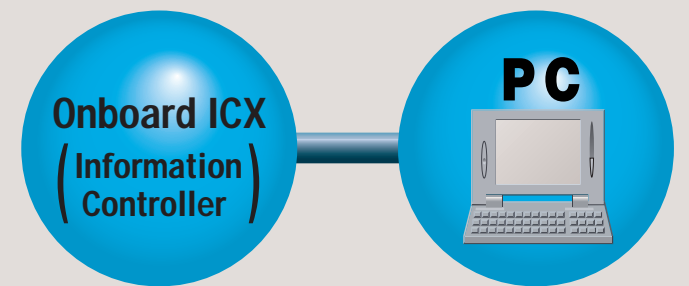
Lead-Free Wiring and Aluminium Radiator and Oil Cooler

Helps keep harmful materials out of the environment.

Information Technology Support

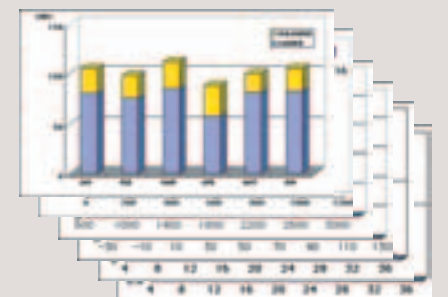
Providing the data for making the right decisions.

Equipment Operation Status Report



Information Services for Equipment

- Operation record
- Error record
- Alarm record
- Frequency distribution radiator coolant / hydraulic temperature etc. and others.



ENGINE

ENGINE

Model Isuzu

Engine family 4BG1XABF

Engine type 4BG1XABFA

Type 4-cycle water-cooled, direct injection

Aspiration Turbocharged, intercooled

No. of cylinders 4

Rated power

Traveling

DIN 6271, net 90.2kW(123PS,121hp) at 2200min⁻¹ (rpm)

SAE J1349, net 90.2kW(123PS,121hp) at 2200min⁻¹ (rpm)

ISO 9249, net 90.2kW(123PS,121hp) at 2200min⁻¹ (rpm)

ECE-R24 90.2kW(123PS,121hp) at 2200min⁻¹ (rpm)

Digging

DIN 6271, net ...H/P mode:90.2kW(123PS,121hp) at 2200min⁻¹ (rpm)

P mode:87.4kW(119PS,117hp) at 2000min⁻¹ (rpm)

SAE J1349, net .H/P mode:90.2kW(123PS,121hp) at 2200min⁻¹ (rpm)

P mode:87.4kW(119PS,117hp) at 2000min⁻¹ (rpm)

ISO 9249, net ...H/P mode:90.2kW(123PS,121hp) at 2200min⁻¹ (rpm)

P mode:87.4kW(119PS,117hp) at 2000min⁻¹ (rpm)

Maximum torque 447N·m at 1 800 min⁻¹ (rpm)

Piston displacement 4.329 L

Bore and stroke105 mm x 125 mm (4.13" x 4.92")

Batteries 2 x 12 V / 55 AH

Governor Mechanical speed control with stepping motor

HYDRAULIC SYSTEM

- Work mode selector
- Digging mode / Attachment mode
- Engine speed sensing system

Main pumps 2 variable displacement axial piston pumps

Maximum oil flow 2 x 200 L/min (52.8 US gpm, 44.0 Imp gpm)

Pilot pump 1 gear pump

Max. oil flow 26.6 L/min (7.0 US gpm, 5.9 Imp gpm)

Steering pump 1 gear pump

Max. oil flow 26.6 L/min (7.0 US gpm, 5.9 Imp gpm)

Hydraulic Motors

Travel 1 variable displacement axial piston motor

Swing 1 axial piston motor

Relief Valve Settings

Implement circuit 34.3 MPa (350 kgf/cm², 4 980 psi)

Swing circuit 33.3 MPa (340 kgf/cm², 4 830 psi)

Travel circuit 34.3 MPa (350 kgf/cm², 4 980 psi)

Pilot circuit 3.9 MPa (40 kgf/cm², 570 psi)

Hydraulic Cylinders

High-strength piston rods and tubes. Cylinder cushion mechanisms provided in boom and arm cylinders to absorb shock at stroke ends.

Dimensions

	Qty.	Bore	Rod diameter
Boom	2	120 mm (4.72")	85 mm (3.35")
Arm	1	125 mm (4.92")	90 mm (3.54")
Bucket	1	105 mm (4.13")	75 mm (2.95")

Hydraulic Filters

Hydraulic circuits use high-quality hydraulic filters. A suction filter is incorporated in the suction line, and full-flow filters in the return line and swing/travel motor drain lines.

CONTROLS

Pilot controls. Hitachi's original shockless valve and quick warm-up system built in the pilot circuit. Hydraulic warm-up control system for engine and hydraulic oil.

Implement levers 2

Travel pedal 1

Outrigger and/or blade lever 1

UPPERSTRUCTURE

Revolving Frame

Welded sturdy box construction, using heavy-gauge steel plates for ruggedness. Reinforced frame for resistance to deformation.

Swing Mechanism

Axial piston motor with planetary reduction gear is bathed in oil. Swing circle is single-row, shear-type ball bearing with induction-hardened internal gear. Internal gear and pinion gear are immersed in lubricant. Swing parking brake is spring-set/hydraulic-released disc type.

Swing speed 12.8 min⁻¹ (rpm)

Operator's Cab

Independent spacious cab, 1 005 mm (40") wide by 1 675 mm (66") high, conforming to ISO* Standards. Reinforced glass windows on 4 sides for visibility. Openable front windows (upper and lower). Adjustable, reclining seat with armrests; movable with or without control levers.

* International Standardization Organization

UNDERCARRIAGE

Wheeled type undercarriage. The frame is of welded, stress-relieved structure.

Drive system : 2 gear power shift transmission and variable displacement axial piston type travel motor.

Travel speed (forward and reverse)

Creeper speed range 0 to 2.6 km/h

Low speed range 0 to 7.2 km/h

High speed range 0 to 30.0 km/h

Gradeability 33 degree (64%)

Min. turning radius 6 550 mm

Axle :

All-wheel drive.

The front axle can be locked hydraulically in any position.

Oscillating front axle..... ± 6°

Brakes system :

Maintenance free wet-disk brakes on front axle and rear axle are standard.

Fully hydraulic service brake system.

OPERATING WEIGHT

Equipped with 2.70 m arm and 0.7 m³ (SAE, PCSA heaped) bucket.

Stabilization	Operating weight
Rear Blade	17 400 kg (38 400 lb)
Rear Outrigger	17 700 kg (39 000 lb)
Front and Rear Outrigger	18 800 kg (41 500 lb)
Outrigger and Blade	18 500 kg (40 800 lb)

BACKHOE ATTACHMENTS

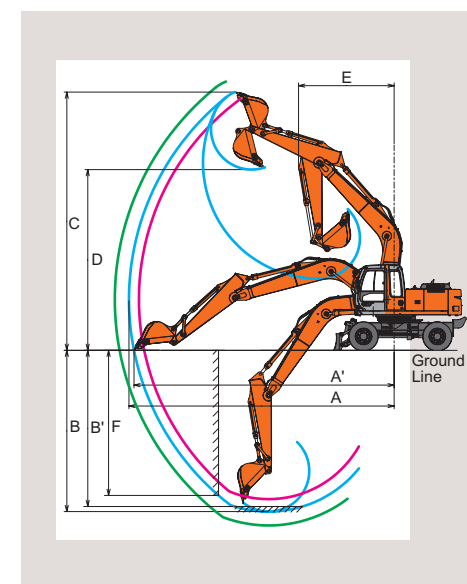
Boom and arms are of welded, box-section design. 2.25 m, 2.70 m and 3.20 m arms are available. Bucket is of all-welded, high-strength steel structure.

Buckets

Capacity		Width		Weight	Recommendation		
SAE, PCSA heaped	CECE heaped	Without side cutters	With side cutters		ZAXIS180W		
					2.25 m (7'5") arm	2.70 m (8'10") arm	3.20 m (10'6") arm
0.51 m ³ (0.67 yd ³)	0.45 m ³	720 mm (28")	850 mm (34")	530 kg (1 170 lb)	☉	☉	☉
0.70 m ³ (0.92 yd ³)	0.60 m ³	900 mm (35")	1 010 mm (40")	610 kg (1 350 lb)	☉	☉	○
0.80 m ³ (1.05 yd ³)	0.70 m ³	1 030 mm (41")	1 140 mm (45")	670 kg (1 480 lb)	☉	○	□
0.91 m ³ (1.19 yd ³)	0.80 m ³	1 150 mm (45")	1 280 mm (50")	720 kg (1 590 lb)	○	□	—
1.10 m ³ (1.44 yd ³)	0.90 m ³	1 330 mm (52")	1 460 mm (58")	780 kg (1 720 lb)	○	—	—
1.20 m ³ (1.57 yd ³)	1.00 m ³	1 450 mm (57")	—	690 kg (1 520 lb)	□	—	—

- ☉ Suitable for materials with density of 1 800 kg/m³ (3 030 lb/yd³) or less
- Suitable for materials with density of 1 600 kg/m³ (2 700 lb/yd³) or less
- Suitable for materials with density of 1 100 kg/m³ (1 850 lb/yd³) or less

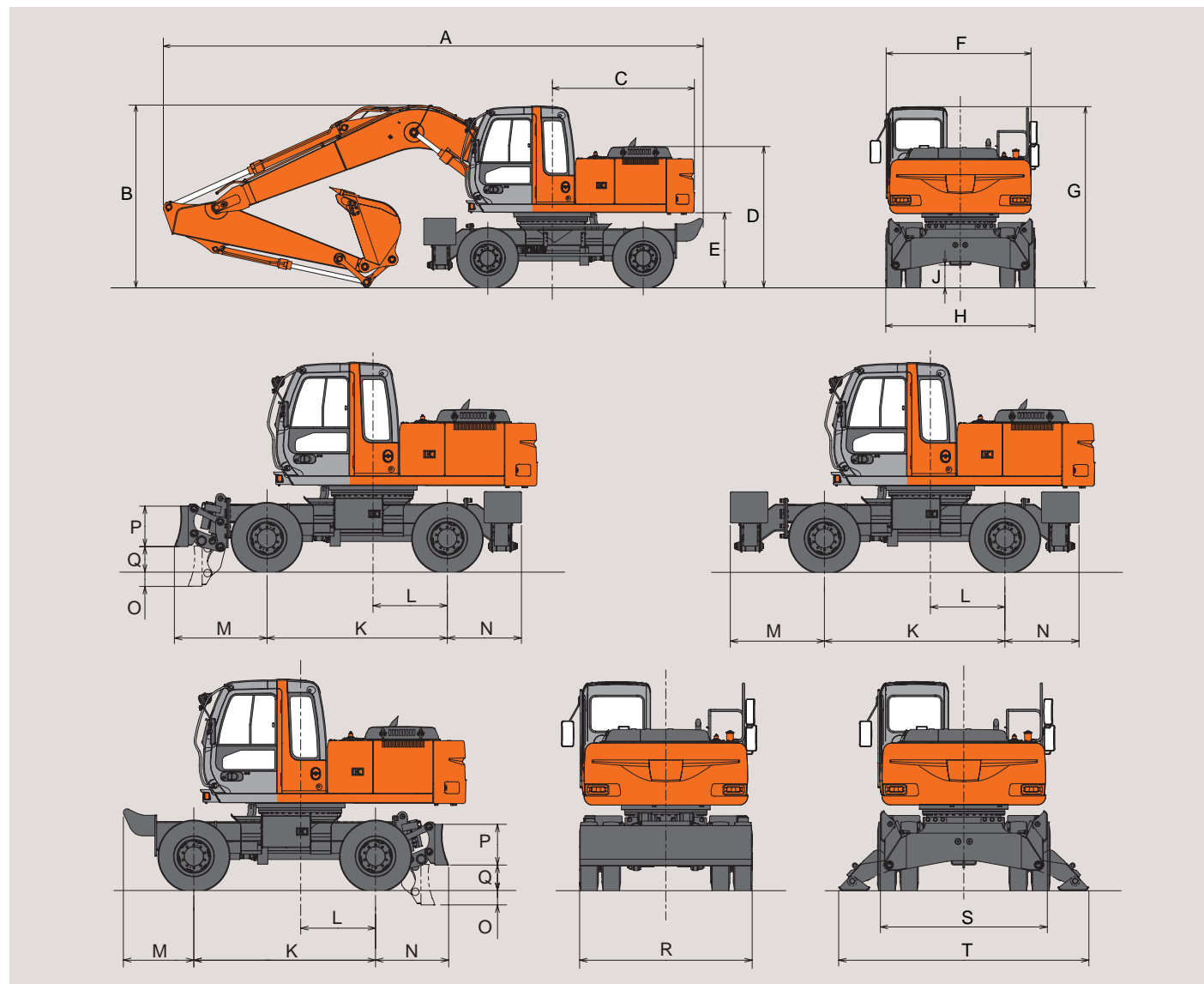
WORKING RANGES



Unit: mm (ft in)

Arm length	2.25 m (7'5")	2.70 m (8'10")	3.20 m (10'6")
A Max. digging reach	9 160 (26'5")	9 520 (31'3")	10 030 (32'11")
A' Max. digging reach (on ground)	8 970 (29'5")	9 340 (30'8")	9 860 (32'4")
B Max. digging depth	5 340 (17'6")	5 790 (19')	6 290 (20'8")
B' Max. digging depth (B' level)	5 140 (16'10")	5 610 (18'5")	6 130 (20'1")
C Max. cutting height	9 180 (30'1")	9 270 (30'5")	9 650 (31'8")
D Max. dumping height	6 380 (20'11")	6 490 (21'4")	6 830 (22'5")
E Min. swing radius	3 460 (11'4")	3 430 (11'3")	3 400 (11'2")
F Max. vertical wall	4 770 (15'8")	5 210 (17'1")	5 710 (18'9")
Bucket digging force	ISO 116 kN (11 800 kgf, 26 100 lbf)	116 kN (11 800 kgf, 26 100 lbf)	116 kN (11 800 kgf, 26 100 lbf)
	SAE : PCSA 102 kN (10 400 kgf, 22 900 lbf)	102 kN (10 400 kgf, 22 900 lbf)	102 kN (10 400 kgf, 22 900 lbf)
Arm digging force	ISO 99 kN (10 100 kgf, 22 300 lbf)	86 kN (8 800 kgf, 19 400 lbf)	76 kN (7 800 kgf, 17 100 lbf)
	SAE : PCSA 95 kN (9 700 kgf, 21 400 lbf)	83 kN (8 500 kgf, 18 700 lbf)	74 kN (7 600 kgf, 16 700 lbf)

DIMENSIONS

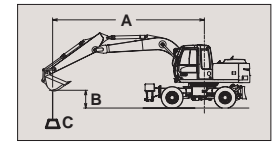


Unit: mm (ft in)

	Rear BL	Rear O/R	Front BL Rear O/R	Front and Rear O/R
A Overall length				
2.25 m arm (7'5")	9 000 (29'6")	9 000 (29'6")	9 000 (29'6")	9 000 (29'6")
2.70 m arm (8'10")	9 010 (29'7")	9 010 (29'7")	9 370 (30'9")	9 370 (30'9")
3.20 m arm (10'6")	9 010 (29'7")	9 010 (29'7")	9 370 (30'9")	9 370 (30'9")
B Overall height				
2.25 m arm (7'5")		3 130 (10'3")		
2.70 m arm (8'10")		3 100 (10'2")		
3.20 m arm (10'6")		3 410 (11'2")		
C Rear-end swing radius		2 440 (8')		
D Engine cover height		2 400 (7'11")		
E Counterweight clearance		1 270 (4'2")		
F Overall width of upperstructure		2 465 (8'1")		
G Overall height of cab		3 080 (10'1")		
H Overall width of tires		2 530 (8'4")		
J Min. ground clearance		360 (1'2")		
K Wheel base		2 650 (8'8")		
L Swing-center to rear axle		1 100 (3'7")		
M Front overhang	1 020 (3'4")	1 020 (3'4")	1 360 (4'6")	1 380 (4'6")
N Rear overhang	1 070 (3'6")	1 090 (3'7")	1 090 (3'7")	1 090 (3'7")
O Max. blade lower	220 (9")	—	220 (9")	—
P Height of blade	590 (1'11")	—	590 (1'11")	—
Q Max. blade raise	370 (1'3")	—	370 (1'3")	—
R Overall width of blade	2 530 (8'4")	—	2 530 (8'4")	—
S Overall width of O/R retract	—	2 470 (8'1")	2 470 (8'1")	2 470 (8'1")
T Overall width of O/R extend	—	3 700 (12'2")	3 700 (12'2")	3 700 (12'2")

Transportation dimensions are A, B, H (without blade) or A, B, R (with blade).

METRIC MEASURE



A: Load radius
B: Load point height
C: Lifting capacity

Equipped with 5.50 m boom and 2.70 m arm and 0.7 m³ (SAE, PCSA heaped) bucket.

Rating over-side or 360 degrees Rating over-rear Unit: 1 000 kg

Stabilization	Load radius										At max. reach		
	3 m		4 m		5 m		6 m		7 m		meter		
6 m	Rear blade up.							2.8	3.2	2.0	2.4	1.5	1.7
	Rear blade down							3.2	*3.7	2.4	*2.6	1.7	*1.9
	Rear outrigger down							*3.7	*3.7	*2.6	*2.6	*1.9	*1.9
	Front outrigger and rear blade down							*3.7	*3.7	*2.6	*2.6	*1.9	*1.9
	Front blade and rear outrigger down							*3.7	*3.7	*2.6	*2.6	*1.9	*1.9
5 m	4 outrigger down							*3.7	*3.7	*2.6	*2.6	*1.9	*1.9
	Rear blade up.							2.7	3.1	2.0	2.3	1.3	1.5
	Rear blade down							3.2	*4.1	2.3	*3.6	1.5	*1.9
	Rear outrigger down							3.8	*4.1	2.9	*3.6	1.9	*1.9
	Front outrigger and rear blade down							*4.1	*4.1	3.5	*3.6	*1.9	*1.9
4 m	Front blade and rear outrigger down							*4.1	*4.1	*3.6	*3.6	*1.9	*1.9
	4 outrigger down							*4.1	*4.1	*3.6	*3.6	*1.9	*1.9
	Rear blade up.					3.6	4.2	2.6	3.0	2.0	2.3	1.1	1.4
	Rear blade down					4.2	*5.0	3.0	*4.8	2.3	*4.3	1.4	*2.0
	Rear outrigger down					*5.0	*5.0	3.7	*4.8	2.8	*4.3	1.8	*2.0
3 m	Front outrigger and rear blade down					*5.0	*5.0	4.5	*4.8	3.5	*4.3	*2.0	*2.0
	Front blade and rear outrigger down					*5.0	*5.0	*4.8	*4.8	3.7	*4.3	*2.0	*2.0
	4 outrigger down					*5.0	*5.0	*4.8	*4.8	4.2	*4.3	*2.0	*2.0
	Rear blade up.			4.8	5.6	3.4	3.9	2.5	2.9	1.9	2.2	1.1	1.3
	Rear blade down			5.6	*7.9	3.9	*6.2	2.9	*5.2	2.2	*4.6	1.3	*2.0
2 m	Rear outrigger down			6.9	*7.9	4.8	*6.2	3.6	*5.2	2.7	4.5	1.7	*2.0
	Front outrigger and rear blade down			*7.9	*7.9	5.9	*6.2	4.4	*5.2	3.4	*4.6	*2.0	*2.0
	Front blade and rear outrigger down			*7.9	*7.9	*6.2	*6.2	4.6	*5.2	3.6	*4.6	*2.0	*2.0
	4 outrigger down			*7.9	*7.9	*6.2	*6.2	*5.2	*5.2	4.1	*4.6	*2.0	*2.0
	Rear blade up.			4.3	5.0	3.1	3.6	2.3	2.7	1.8	2.1	1.0	1.2
1 m	Rear blade down			5.0	*9.3	3.6	*7.0	2.7	*5.7	2.1	*4.9	1.2	*2.1
	Rear outrigger down			6.4	*9.3	4.5	*7.0	3.4	*5.7	2.6	4.4	1.6	*2.1
	Front outrigger and rear blade down			8.0	*9.3	5.6	*7.0	4.2	*5.7	3.3	*4.9	2.0	*2.1
	Front blade and rear outrigger down			8.5	*9.3	6.0	*7.0	4.5	*5.7	3.5	*4.9	*2.1	*2.1
	4 outrigger down			*9.3	*9.3	*7.0	*7.0	5.2	*5.7	4.0	*4.9	*2.1	*2.1
0 m	Rear blade up.					2.9	3.4	2.2	2.6	1.7	2.0	1.0	1.2
	Rear blade down					3.4	*7.5	2.6	*6.0	2.0	4.9	1.2	*2.3
	Rear outrigger down					4.3	*7.5	3.3	5.6	2.5	4.3	1.6	*2.3
	Front outrigger and rear blade down					5.4	*7.5	4.1	*6.0	3.2	*5.1	2.0	*2.3
	Front blade and rear outrigger down					5.7	*7.5	4.3	*6.0	3.4	4.9	2.2	*2.3
-1 m	4 outrigger down					6.7	*7.5	5.0	*6.0	3.9	*5.1	*2.3	*2.3
	Rear blade up.			3.9	4.6	2.8	3.3	2.1	2.5	1.6	1.9	1.1	1.3
	Rear blade down			4.6	*7.7	3.3	*7.7	2.5	*6.2	1.9	4.9	1.3	*2.5
	Rear outrigger down			5.9	*7.7	4.2	7.4	3.2	5.5	2.5	4.2	1.7	*2.5
	Front outrigger and rear blade down			7.5	*7.7	5.2	*7.7	3.9	*6.2	3.1	*5.2	2.1	*2.5
-2 m	Front blade and rear outrigger down			*7.7	*7.7	5.6	*7.7	4.2	6.1	3.3	4.8	2.3	*2.5
	4 outrigger down			*7.7	*7.7	6.6	*7.7	4.9	*6.2	3.9	5.0	*2.5	*2.5
	Rear blade up.	6.2	*7.0	3.8	4.6	2.7	3.2	2.0	2.4	1.6	1.9	1.1	1.4
	Rear blade down	*7.0	*7.0	4.6	*8.5	3.2	*7.1	2.4	*5.8	1.9	4.8	1.6	*3.2
	Rear outrigger down	*7.0	*7.0	5.9	*8.5	4.1	*7.1	3.1	5.4	2.4	4.2	2.0	*3.2
-3 m	Front outrigger and rear blade down	*7.0	*7.0	7.5	*8.5	5.1	*7.1	3.8	*5.8	3.0	*4.8	2.5	*3.2
	Front blade and rear outrigger down	*7.0	*7.0	8.0	*8.5	5.5	*7.1	4.1	*5.8	3.2	4.7	2.7	*3.2
	4 outrigger down	*7.0	*7.0	*8.5	*8.5	6.5	*7.1	4.8	*5.8	3.8	*4.8	3.2	*3.2
	Rear blade up.	6.3	7.6	3.9	4.6	2.7	3.2	2.0	2.4	1.6	1.9	1.1	1.4
	Rear blade down	7.6	*8.5	4.7	*7.5	3.2	*6.3	2.4	*5.2	1.9	*4.1	1.9	*3.2
-4 m	Rear outrigger down	*8.5	*8.5	5.9	*7.5	4.1	*6.3	3.1	*5.2	2.4	*4.1	2.4	*3.2
	Front outrigger and rear blade down	*8.5	*8.5	*7.5	*7.5	5.2	*6.3	3.9	*5.2	3.1	*4.1	3.0	*3.2
	Front blade and rear outrigger down	*8.5	*8.5	*7.5	*7.5	5.5	*6.3	4.1	*5.2	3.2	*4.1	3.2	*3.2
	4 outrigger down	*8.5	*8.5	*7.5	*7.5	*6.3	*6.3	4.8	*5.2	3.8	*4.1	*3.2	*3.2

- Notes: 1. Ratings are based on SAE J1097.
2. Lifting capacity of the ZAXIS Series does not exceed 75% of tipping load with the machine on firm, level ground or 87% full hydraulic capacity.
3. The load point is a hook (not standard equipment) located on the back of the bucket.
4. *Indicates load limited by hydraulic capacity.



STANDARD EQUIPMENT

Standard equipment may vary by country, so please consult your Hitachi dealer for details.

ENGINE

- The engine conforms to the emission of U.S. EPA tier 2 and European EU stage II
- Turbocharged, intercooled
- The radiator, oil cooler and intercooler are all made of aluminum
- H/P mode control
- E mode control
- 50 A alternator
- Dry-type air filter with evacuator valve (with Air cleaner restriction switch for monitor)
- Cartridge-type engine oil filter
- Cartridge-type fuel filter
- Radiator and oil cooler with dust protective net
- Radiator reserve tank
- Fan guard
- Isolation-mounted engine
- Auto-idle system
- Auto acceleration system

HYDRAULIC SYSTEM

- Work mode selector
- Engine speed sensing system
- E-P control system
- Quick warm-up system for pilot circuit
- Shockless valve in pilot circuit
- Boom-arm anti-drift valve
- Brake valves for travel circuits
- Accumulator in pilot circuit
- Control valve with main relief valve
- Extra port for control valve
- Suction filter
- Full-flow filter

- Pilot filter
- Steering filter
- Outriggers are individually controlled

CAB

- CRES (Center pillar Reinforced Structure) cab**
- OPG top guard fitted level I (ISO) compliant cab
 - All-weather sound-suppressed steel cab
 - Reinforced, tinted (green color) glass windows
 - 4 fluid-filled elastic mounts
 - Openable windows; upper and lower front, and left side
 - Intermittent windshield retractable wipers
 - Front window washer
 - Adjustable suspension seat with armrests
 - Footrest
 - Electric double horn
 - AM - FM radio with digital clock
 - Auto-idle / acceleration selector
 - Seat belt
 - Drink holder
 - Cigar lighter
 - Ashtray
 - Storage box
 - Glove compartment
 - Floor mat
 - Pilot control shut-off lever
 - Engine stop knob
 - Information controller
 - Auto control air conditioner
 - Sun visor

MONITOR SYSTEM

- Meters: Speedometer, hourmeter and trip-meter, engine coolant temperature gauge, hydraulic brake pressure gauge, fuel gauge
- Warning lamps: Alternator charge, brake pressure warning indicator, engine oil pressure, engine overheat, travel motor warning indicator, air filter restriction and minimum fuel level
- Pilot lamps: Work light, auto-idle and auto-acceleration, digging mode and attachment mode, engine preheat, turn signals, head light high beam, parking brake, digging brake, axle lock, hazard warning signals, shift lever (N/D/L), clearance light, outrigger/dozer, blade operation
- Alarm buzzers: Front attachment operation while parking brake is on, engine oil pressure, engine overheat, and brake pressure

LIGHTS AND SIGNALS

- Two headlights
- Working light
- Combination lamps
- Turn signal lamps
- Brake lamps
- Clearance lamps
- Hazard lamps

UPPERSTRUCTURE

- Undercover
- Fuel level float
- Hydraulic oil level gauge
- Rearview mirrors, left and right
- Swing parking brake
- Swing lock

UNDERCARRIAGE

- Parking brake
- Tool box; left chassis
- Traction type pattern tires (10.00-20-14 PR)
- Tire spacer

FRONT ATTACHMENTS

- HN bushing
- WC thermal spraying
- Reinforced resin thrust plate
- Flanged pin
- Bucket clearance adjust mechanism
- Centralized lubrication system
- Dirt seal on all bucket pins

MISCELLANEOUS

- Standard tool kit
- Lockable machine covers
- Lockable fuel filling cap
- Skid-resistant tapes, plates and handrails
- Travel direction mark on chassis frame



OPTIONAL EQUIPMENT

Optional equipment may vary by country, so please consult your Hitachi dealer for details.

CAB

- Full seat screw on the cab
- Roof guard for cab
- Upper front guard for cab
- Low front guard for cab
- Suspension seat with heater
- Air suspension seat with heater
- Immobilizer key
- 12 V power source
- Anti-vandal cover
- Rotating lamp
- OPG top and front guard fitted level II (ISO) compliant cab
- Transparent roof (with roll curtain)
- Rain guard

LIGHTS

- Additional cab roof front light
- Additional cab roof rear light
- Additional boom light with cover

FRONT ATTACHMENTS

- 2.25 m (7'5") arm
- 3.20 m (10'6") arm
- Other variety buckets
- Reinforced arm

UNDERCARRIAGE

- Rear dozer blade
- Rear outriggers
- Front dozer blade + rear outriggers

OTHERS

- Front outriggers + rear dozer blade
- Front outriggers + rear outriggers
- Right tool box
- Twin tire 11:00-20
- Short chassis
- Hose rupture valve (Boom) with overload warning device
- Hose rupture valve (arm)
- Pre-cleaner
- Fuel double filter
- Biodegradable oil
- High-performance full flow filter (with restriction indicator)
- Electric fuel refilling pump

ATTACHMENT

- Parts for hammer and crusher
- Hammer and crusher piping
- Assist piping
- Clamshell piping
- Quick coupler piping

Comparative information based on current Japan domestic model. These specifications are subject to change without notice. Illustrations and photos show the standard models, and may or may not include optional equipment, accessories, and all standard equipment with some differences in color and features. Before use, read and understand Operator's Manual for proper operation.

Hitachi Construction Machinery Co., Ltd.

Head Office : 5-1 Koraku 2-chome, Bunkyo-ku, Tokyo 112-8563, Japan
Telephone : 81-3-3830-8050
Facsimile : 81-3-3830-8204
URL : www.hitachi-c-m.com